

TPC-660E

TPC-662G

5.7" VGA TFT LCD Geode™ LX800 Touch Panel Computer

6.4" VGA TFT LCD Geode™ LX800 Touch Panel Computer with CAN-bus



Features

- AMD Geode™ LX800 processor on board
- 5.7"/6.4" TFT LCD
- Super slim and compact design with plastic housing
- Fanless cooling system
- NEMA4/IP65 compliant front panel
- One CompactFlash® slot
- Automatic data flow control RS-485
- Supports Microsoft® Windows XP/CE and WinXPe
- CAN-bus 2.0B supported (TPC-662G)



Introduction

The TPC-660E/662G models are compact platforms without redundant functions, which have been designed for small-sized operator interface applications. The integration of a fanless kernel, touchscreen and non-volatile storage makes this machine a reliable solution for industrial environments. The 8-bit PC-104 expansion slot provides a dependable and convenient way to add-on functions. Common PC-104 cards for a variety of applications can fit in the TPC-660G/662G.

Specifications

General

- **BIOS** Award® 4 MB
- **Certifications** BSMI, CCC, CE, FCC, UL
- **Cooling System** Fanless design
- **Dimensions (W x H x D)** 195 x 148 x 44.4 mm (7.68" x 5.83" x 1.75")
- **Enclosure** ABS and ABS + PC
- **Mounting** Panel
- **OS Support** Windows XP/CE and WinXPe
- **Power Consumption** 24.5 W (typical)
- **Power Input** 18 ~ 32 V_{DC}
- **Watchdog Timer** Programmable as 250 ms, 500 ms, 1 second
- **Weight (Net)** 0.8 kg (1.76 lb)

System Hardware

- **Audio Ports** 1 x Line-out, 1 x Microphone (TPC-660E)
- **CPU** AMD LX800 500 MHz
- **Expansion Slots** 1 x CompactFlash slot
1 x PC-104
- **Graphics Controller** AMD LX800 (Internal)
- **Keyboard/Mouse Ports** 1 x PS/2
- **LAN** 1 x 10/100Base-T
- **Memory** 256 MB DDR SDRAM (up to 1 GB DDR SDRAM)
- **Serial Ports** 1 x RS-232
1 x RS-232/422/485 (TPC-660E)
1 x Isolated CAN 2.0B interface (TPC-662G)
CAN Controller: SJA-1000
CAN Transceiver: 82C250
- **Storage** Extension 2.5" PATA HDD (optional)
- **USB Ports** 2 x USB 2.0

LCD Display

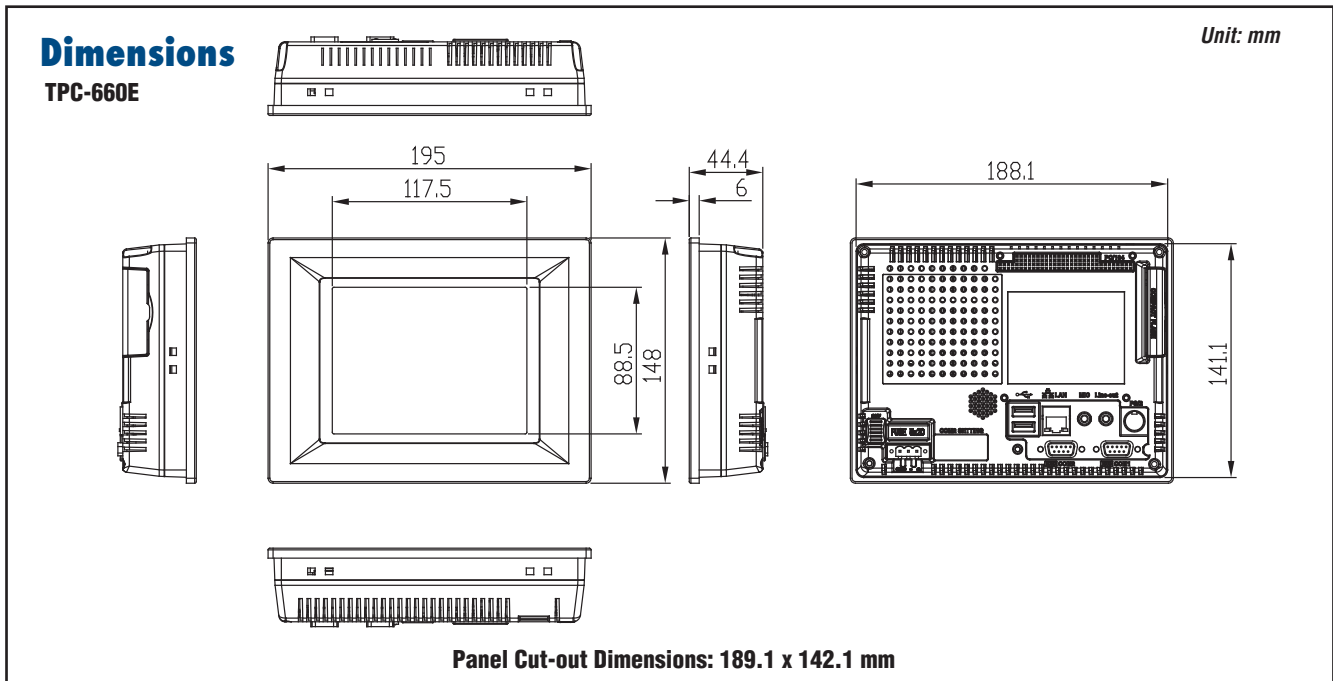
	TPC-660E	TPC-662G
▪ Display Type	VGA TFT LCD	VGA TFT LCD
▪ Display Size	5.7"	6.4"
▪ Max. Resolution	640 x 480	640 x 480
▪ Max. Colors	262 K	262 K
▪ Luminance cd/m²	220	150
▪ Viewing Angle (H/V°)	140/100	90/50
▪ Backlight Life	50,000 hrs	20,000 hrs
▪ Contrast Ratio	300 : 1	180 : 1

Touchscreen

- **Lifespan** 10 millions times with a silicone rubber of 8 mm diameter finger
- **Light Transmission** Above 75%
- **Resolution** Linearity
- **Type** 4-wire, analog resistive

Environment

- **Humidity** 10 ~ 95% RH @ 40° C, non-condensing
- **Ingress Protection** Front panel: NEMA4, IP65
- **Operating Temperature** 0 ~ 50° C (32 ~ 122° F)
- **Storage Temperature** -20 ~ 60° C (-4 ~ 140° F)
- **Vibration Protection** 1 Grms (Random, Operating)

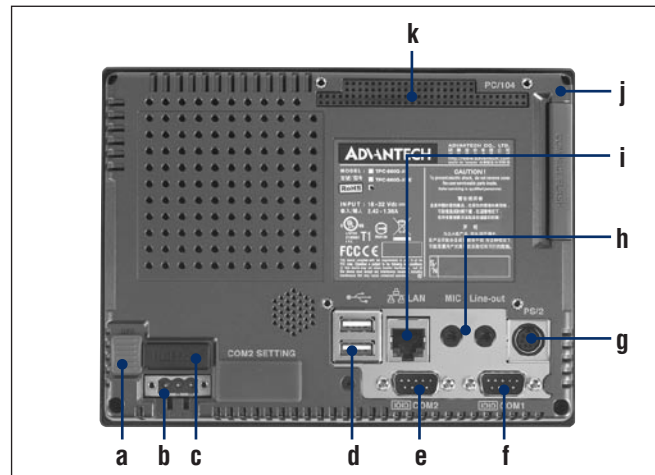


Notes: TPC-662G features same dimension with 6.4" LCD panel

Ordering Information

- **TPC-660E-B1E** 5.7" VGA TFT LCD with AMD Geode LX800 500 MHz CPU, 256 MB DDR SDRAM
- **TPC-660G-B1E** 6.4" VGA TFT LCD with AMD Geode LX800 500 MHz CPU, 256 MB DDR SDRAM
- **TPC-662G-B1E** TPC-660G-B1E with CAN-Bus support
- **TPC-660G-EHKE** TPC-660 Extension HDD Kit
- **PWR-247-AE** 24 V 50 W AC-DC Power Adapter

Rear View



- a. Power Switch
- b. Power Receptor
- c. Fuse (3.15A)
- d. USB 2.0
- e. COM2 (RS-232/422/485) for TPC-660E
COM2 (CAN Port) for TPC-662G
- f. COM1 (RS-232)
- g. PS/2
- h. Audio (MIC, Line-out) for TPC-660E
- i. LAN
- j. CompactFlash
- k. PC-104