

TPC-1270H

12.1" SVGA TFT LCD Pentium® M/ Celeron® M Touch Panel Computer



Features

- Intel® Pentium® M processor up to 1.4 GHz on board
- 12.1" SVGA TFT LCD
- Compact design with Al-Mg front bezel and die-cast Al housing
- Fanless cooling system
- NEMA4/IP65 compliant front panel
- Supports Microsoft® Windows® XP/XPe/CE
- Downward I/O cabling
- Automatic data flow control RS-485
- Gigabit Ethernet supported

Introduction

With a high quality TFT LCD display, TPC-1270H is designed with the Intel Pentium M 1.4 GHz/Celeron® M 1 GHz processor as its core. The Intel Pentium M/Celeron M has low power consumption and 1.4 GHz/1 GHz operating frequency. This system is fanless although the kernel is powerful. In addition, spindle-free storage makes the TPC-1270H a durable and reliable platform. For applications where spindle-free storage is not critical, a fast-access HDD module can be used. The rich I/O portfolio meets diverse requests.

Specifications

General

- **BIOS** Award® 4 MB
- **Certifications** BSMI, CCC, CE, FCC, UL
- **Cooling System** Fanless design
- **Dimensions (W x H x D)** 311 x 237 x 52.3 mm (12.24" x 9.33" x 2.06")
- **Enclosure** Front bezel: Die-cast Aluminum alloy
Back housing: ABS + PC
- **Mounting** Desktop, Wall or Panel Mount
- **OS Support** Windows XP/XPe/CE (Windows CE only for C1E)*
- **Power Consumption** 40 W (typical)
- **Power Input** 18 ~ 32 V_{DC}
- **Watchdog Timer** 1 ~ 255 sec (system)
- **Weight (Net)** 3.3 kg (7.28 lbs)

System Hardware

- **CPU** TPC-1270H-P2AE: Intel Pentium M 1.4GHz 2M cache
TPC-1270H-C1AE: Intel Celeron M 1GHz non-cache
- **Chipset** Intel 915GME + ICH6M
- **Memory** TPC-1270H-P2AE: 1GB onboard DDR2 SDRAM
TPC-1270H-C1AE: 512MB onboard DDR2 SDRAM
- **LAN** TPC-1270H-P2AE: 10/100Base-T x 1,
10/100/1000Base-T x 1
TPC-1270H-C1AE: 10/100Base-T x 2
- **Expansion Slots** PCI-104 x 1
- **Storage** CompactFlash® slot x 1
2.5" SATA HDD x 1 wide temperature HDD (optional)
- **I/O** RS-232 x 3 (COM1, 2, 3)
RS-232/422/485 x 1 (COM4) with auto data flow control
USB 2.0 x 4 (Host)
VGA x 1
MIC-in x 1, Line-out x 1

LCD Display

- **Display Type** SVGA TFT LCD
- **Display Size** 12.1"
- **Max. Resolution** 800 x 600
- **Max. Colors** 262 K
- **Luminance cd/m²** 350
- **Viewing Angle (H/V°)** 140/120
- **Backlight Life** 50,000 hrs
- **Contrast Ratio** 500 : 1

Touchscreen

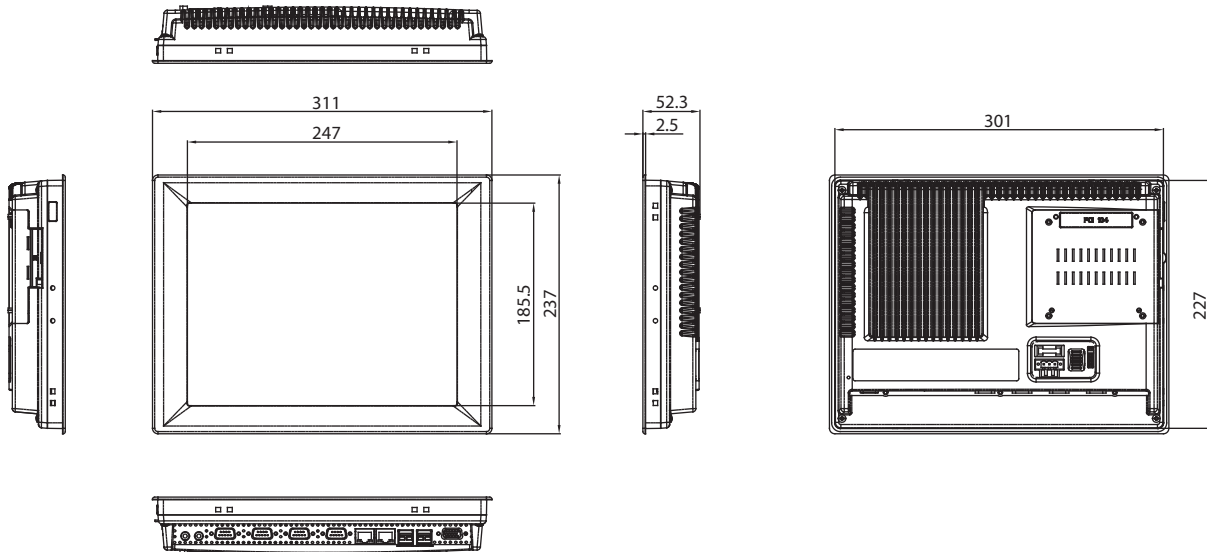
- **Lifespan** 1 million touches at single point
- **Light Transmission** Above 75%
- **Resolution** Linearity
- **Type** 5-wire, analog resistive

Environment

- **Humidity** 10 ~ 95% RH @ 40° C, non-condensing
- **Ingress Protection** Front panel: NEMA4, IP65
- **Operating Temperature** 0 ~ 50° C (32 ~ 122° F)
- **Storage Temperature** -20 ~ 60° C (-4 ~ 140° F)
- **Vibration Protection** With HDD: 1 Grms (5 ~ 500 Hz)
(Operating, random vibration)

Dimensions

Unit: mm

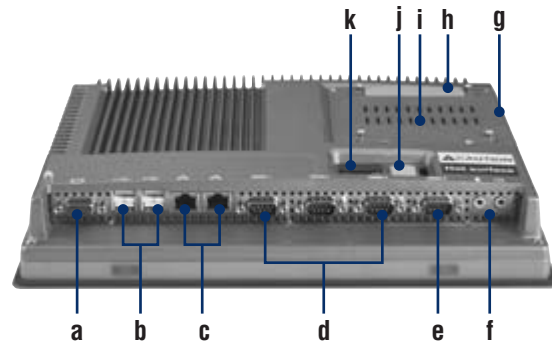


Panel Cut-out Dimensions: 302.5 x 228.5 mm

Ordering Information

- **TPC-1270H-P2BE** 12" SVGA Touch Panel PC, Pentium M 1.4 GHz, 1 GB
- **TPC-1270H-C1BE** 12" SVGA Touch Panel PC, Celeron M 1 GHz, 512 MB
- **TPC-1270H-SMKE** TPC-1270H Desktop Stand
- **TPC-1270H-WMKE** TPC-1270H Wallmount Kit
- **TPC-1270H-EPKE** TPC Series PC/PCI-104 Extension Kit
- **PWR-247-AE** 24 V 50 W AC-DC Power Adapter

Rear View



- | | |
|--------------------------|---------------------------------|
| a. VGA | g. CompactFlash |
| b. USB 2.0 | h. PCI-104 |
| c. LAN (10/100/1000) | i. 2.5" SATA HDD Housing |
| d. COM (RS-232) | j. Power Switch |
| e. COM (RS-232/422/485) | k. Fuse (3.15A), Power Receptor |
| f. Audio (MIC, Line-Out) | |

* Windows XPe supports 10 languages with MUI. (English, Traditional Chinese, Simplified Chinese, French, German, Spanish, Russian, Italian, Japanese and Korean)