

TPC-1780H

TPC-1770H

17" SXGA TFT LCD Core™2 Duo
L7400 Touch Panel Computer

17" SXGA TFT LCD Celeron® M
Touch Panel Computer

NEW



Features

- Intel® Core™2 Duo L7400 processor up to 1.5 GHz on board/
Intel Celeron® M processor up to 1 GHz on board
- 17" SXGA TFT LCD
- Compact design with die-cast Al alloy front bezel
- Fanless cooling system
- NEMA4/IP65 compliant front panel
- Supports Microsoft® Windows® XP/XPe/Vista (TPC-1780H only)
- Downward I/O cabling
- Gigabit Ethernet and Fast Ethernet supported

Introduction

With a high quality TFT LCD display, TPC-1780H/TPC-1770H is designed with the Intel Core 2 Duo L7400/Intel Celeron M processor as its core. The Intel Core 2 Duo/Intel Celeron M has low power consumption and 1.5/1 GHz operating frequency. This system is fanless although the kernel is powerful. In addition, spindle-free storage makes the TPC-1780H/TPC-1770H a durable and reliable platform. For applications where spindle-free storage is not critical, a fast-access HDD module can be used. The rich I/O portfolio meets diverse requests.

Specifications

General

- BIOS** Award® 4 MB
- Certifications** BSMI, CCC, CE, FCC, UL
- Cooling System** Fanless design
- Dimensions (W x H x D)** 414 x 347.5 x 93 mm (16.3" x 13.68" x 3.66")
- Enclosure** Front bezel: Die-cast Aluminum alloy
Back housing: ABS + PC
- Mounting** Desktop, Wall or Panel Mount
- OS Support** Windows XP/XPe (Vista only for TPC-1780H)
- Power Consumption** 100 W Typical
- Power Input** 18 ~ 32 VDC
- Watchdog Timer** 1 ~ 255 sec (system)
- Weight (Net)** 8 kg (17.64 lbs)

System Hardware

- CPU** TPC-1780H: Intel Core 2 Duo L7400 1.5 GHz
TPC-1770H: Intel Celeron M 1 GHz 512k cache
- Chipset** TPC-1780H: Intel 945GME + ICH7
TPC-1770H: Intel 915GME + ICH6M
- Memory** TPC-1780H: 2GB SO-DIMM DDR2 SDRAM, Up to 4GB
TPC-1770H: 1GB 240pin DIMM DDR2 SDRAM
- LAN** 10/100/1000Base-T x 2
- Expansion Slots** PCI-104 (Up to 1unit, Optional)
RS-422/485 (Optional)
- Storage** CompactFlash® slot x 1
2.5" SATA HDD x 1(optional)
- I/O** RS-232 x 3 (COM1, 3, 4)
USB 2.0 x 4 (Host)
PS/2 Keyboard x 1, PS/2 Mouse x 1
VGA x 1
MIC-in x 1, Line-in x 1, Line-out x 1

LCD Display

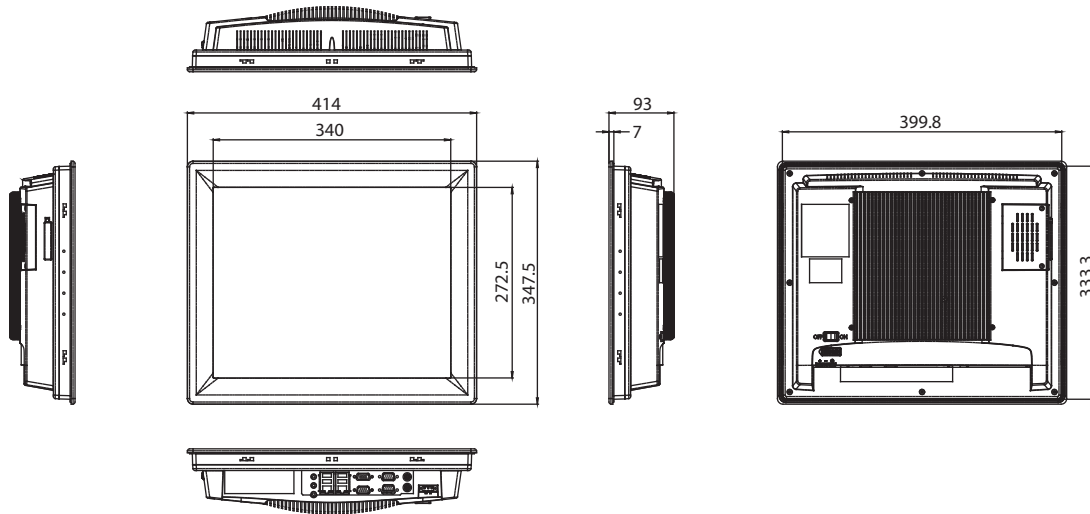
- Display Type** SXGA TFT LCD
- Display Size** 17"
- Max. Resolution** 1280 x 1024
- Max. Colors** 16.7 M
- Luminance cd/m²** 300
- Viewing Angle (H/V°)** 160/160
- Backlight Life** 50,000 hrs
- Contrast Ratio** 800:1

Touchscreen

- Lifespan** 1 million touches at single point
- Light Transmission** Above 75%
- Resolution** Linearity
- Type** 8-wire, analog resistive
- Environment**
- Humidity** 10 ~ 95% RH @ 40° C, non-condensing
- Ingress Protection** Front panel: NEMA4, IP65
- Operating Temperature** 0 ~ 45° C (32 ~ 113° F)
- Storage Temperature** -20 ~ 60° C (-4 ~ 140° F)
- Vibration Protection** With HDD: 1 Grms (5 ~ 500 Hz)
(Operating, random vibration)

Dimensions

Unit: mm

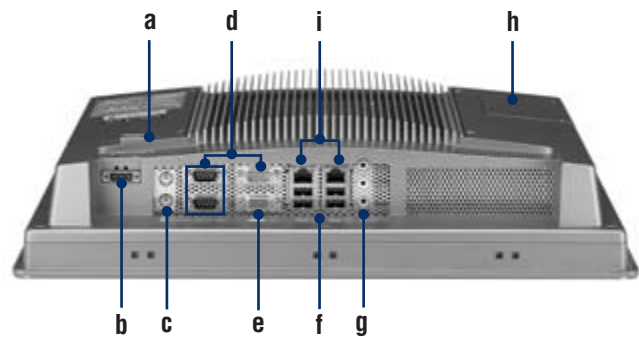


Panel Cut-out Dimensions: 400.8 x 334.3 mm

Ordering Information

- **TPC-1780H-P3AE** 17" SXGA Touch Panel PC, Core 2 Duo L7400, 2 GB
- **TPC-1770H-C2BE** 17" SXGA Touch Panel PC, Celeron M 1 GHz, 1 GB
- **TPC-1770H-SMKE** TPC-1770H/1780H Desktop Stand
- **TPC-1770H-WMKE** TPC-1770H/1780H Wallmount Kit
- **PWR-244-AE** 24V 110W AC-DC Power Adapter

Rear View



- a. Power Switch, Fuse
- b. Power Receptor
- c. PS/2
- d. COM (RS-232)
- e. VGA
- f. USB 2.0

- g. Audio (Line-In, Line-Out, MIC)
- h. 2.5" SATA HDD Housing
- i. LAN (10/100/1000)