

PPC-4150W

15.6" Fanless Wide Screen Panel PC with Intel Atom Dual-Core Processor

NEW



Features

- 15.6" TFT WXGA LED entirely flat panel with Projected capacitive touchscreen
- Fanless design and low power consumption
- Supports one internal SATA 2.5" HDD and 1 x mSATA socket
- PCI or PCIe expansion support
- Adjust RS-232/422/485 through BIOS
- Automatic data flow control over RS-485
- Wide Range DC 12-30V support
- One right side USB port
- Front panel compliant with IP65

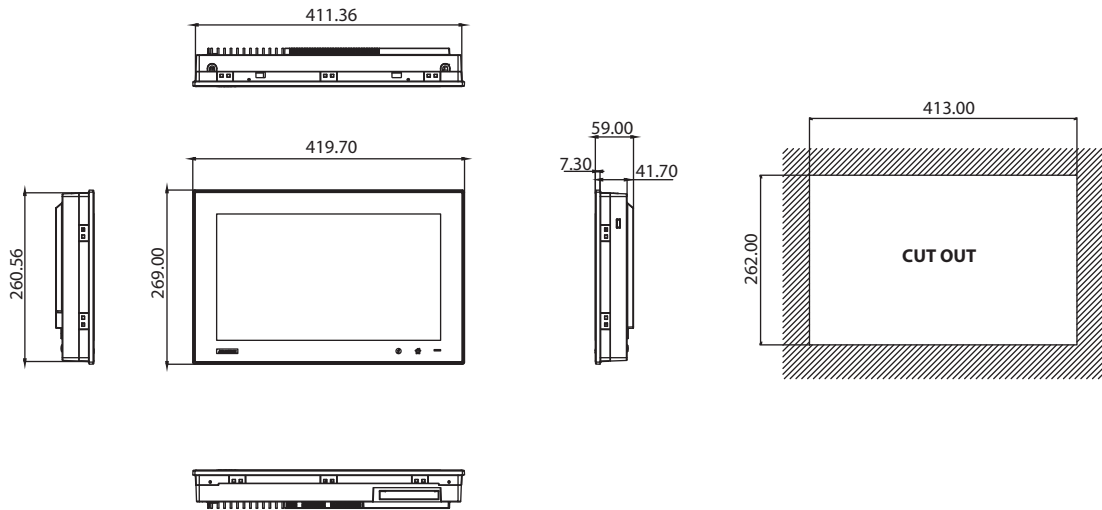


Specifications

Processor system	CPU	Intel Atom D2550 1.86GHz 10W Dual Core CPU on board
	Memory	SODIMM x 1, DDR3 1066, Max 4 GB
	2nd Cache Memory	1 MB
	Chipset	Intel NM10
	Storage	mSATA x 1
	HDD	1 x 2.5" SATA HDD Bay (Internal)
	I/O Ports	4 x Serial ports: 3 x RS-232, 1x RS-232/422/485 (Adjustable through BIOS) 5 x USB 2.0 ports (4 in Rear, 1 from right side) 1 x Line-out, 1x MIC-in 1 x DB15 VGA 1 x DB9 GPIO port (8 pin programmable)
	Bus Expansion	1 x MINI PCIe, 1 x PClex1 or 1 x PCI
	Network (LAN)	2 x 10/100/1000 Mbps Ethernet
	Watchdog Timer	255 timer levels; setup by software
Dimensions	419.7 x 269 x 59 mm	
Weight	5.5Kg	
OS support	OS Support	Win XPE / WES7 / WIN CE7.0 / Linux
Power supply	Input Voltage	DC 12 ~ 30 V
	Power consumption	36 W (4 GB DDR3, 2.5" HDD 500G, 4xRS232 loop back, USB2.0x3, mouse ,Windows7 32bit)
LCD Display	Display Type	15.6" TFT LCD (LED Backlight)
	Max. Resolution	1366 x 768
	Colors	16.7 M colors
	Dot Size (mm)	0.264 x 0.264
	Viewing Angle	85 (left), 85 (right), 80 (up), 80 (down)
	Luminance	300
	Brightness Control	Yes
Touchscreen	Backlight Lifetime	50,000 hrs
	Touch Type	Projected Capacitive 4 point Multitouch
	Controller	USB interface
Environment	Software Driver	Supports Windows 7 / XP Embedded (WES7E and XP Embedded support single touch only)
	Operating Temperature	0 ~ 50°C (32 ~ 122°F)
	Storage Temperature	-20 ~ 60°C (-4 ~ 140°F)
	Relative Humidity	10 ~ 95% @ 40°C (non-condensing)
	Shock Operating	10 G peak acceleration (11 ms duration), follow IEC 60068-2-27
	Vibration	Operating Random Vibration Test 5-500Hz, 1Grms, follow IEC 60068-2-64
	EMC	BSMI, CE, FCC Class B
	Safety	CB, CCC, BSMI, UL
	Front Panel Protection	IP65 compliant

Dimensions

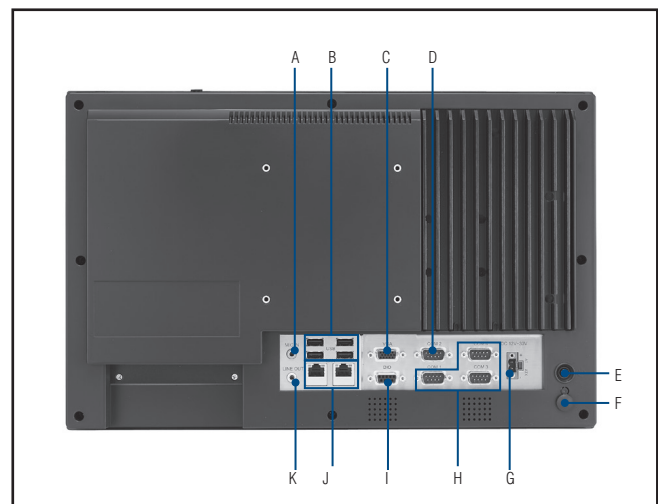
Unit: mm



Ordering Information

Part NO	Description
PPC-4150W-P2GAE	15.6 Wide screen PPC with PCT Multi-touch, Intel Atom D2550 1.86GHz, 2G DDR3 pre-installed
PPC-4150W-P4GAE	15.6 Wide screen PPC with PCT touch, Intel Atom D2550 1.86GHz, 4G DDR3 pre-installed
PPC-6150-WLANE	Wi-Fi Module with Intel 6205 for PPC-6150/6170
PS-DC19-L157E	19V DC power Adapter Module
1700001524	POWER Cord 3P UL 10A 125V 180cm
170203183C	POWER Code 3P Europe (WS-010+083)183cm
1700008921	POWER CORD 3P/3P POWER SUPPLY 1.8M PSE
PPC-174T-WL-MTE	Wall mount kit A800B for PPC series
PPC-4150W-STANDE	Desktop stand kit for PPC-4150W
PPC-ARM-A03	PPC ARM VESA Standard

I/O Appearance



- A. Mic-in
- B. 4 x USB 2.0
- C. VGA Port
- D. 1 x RS232/422/485
- E. Power Button
- F. Ground Line
- G. DC Inlet
- H. 3 x RS232
- I. DIO Port
- J. 2 x 10/100/1000 Mbps Ethernet
- K. Line Out