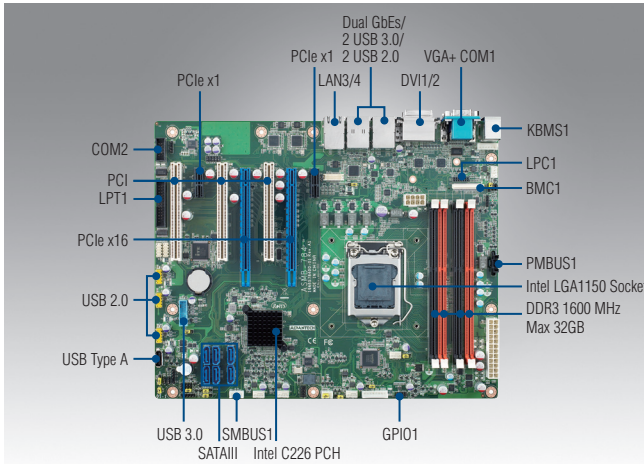


ASMB-784

LGA 1150 Intel® Xeon® E3 v3/ 4th Generation Core™ ATX Server Board with 2 PCIe x16 slots (x8 link), 3 PCI, USB 3.0, Quad/Dual LANs



Features

- Supports LGA 1150 Intel® Xeon® E3-1200 v3 and 4th Generation Core™ i7/i5/i3 processors
- DDR3 1600 MHz ECC/Non-ECC UDIMM up to 32GB
- One Gen 3.0 PCIe x16 link or two PCIe x16 slots with x8 link, two PCIe x1 and three PCI slots
- Rackmount optimized placement with positive air flow design
- Support Intel vPro, AMT 9.0, IPMI (optional) and Embedded software APIs and utilities

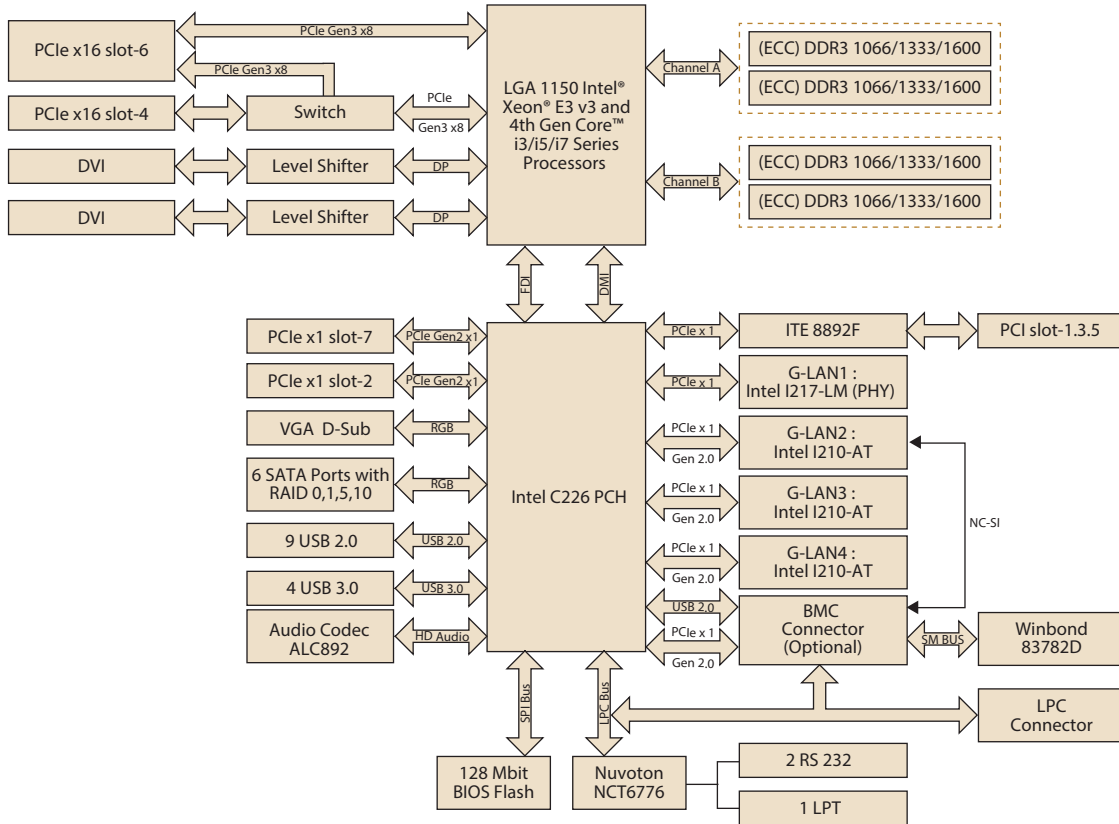


Specifications

Form Factor	ATX form factor						
Processor System	Socket	Intel LGA 1150					
	CPU type	Intel® Xeon® E3-1200 v3 and Core™ i3/i5/i7 series (TDP up to 84W)					
Core Logic	Chipset	Intel C226 chipset					
Memory	Total slots	4 (Dual Channel)					
	Max. capacity	32 GB					
	Memory type	DDR3 ECC/Non-ECC 1600/1333/1066 MHz UDIMM (240-pin)*					
	Memory size	1 GB, 2 GB, 4 GB, 8 GB					
Expansion Slots	Total PCI/PCI-X/PCIe slots	7					
	Slot location 1	PCI					
	Slot location 2	PCIe x1 slot (Gen2 x1 link)					
	Slot location 3	PCI					
	Slot location 4	PCI x16 slot (Gen3 x8 or x16 link)					
	Slot location 5	PCI					
	Slot location 6	PCI x16 slot (Gen3 x8 or x16 link)					
Graphics	Slot location 7	PCIe x1 slot (Gen2 x1 link)					
	Controller	Intel HD Graphics					
Storage	VRAM	1 GB maximum shared memory with 2 GB and above system memory installed					
	SATA controller	Intel C226: 6 SATA 6 Gb/s ports with Intel Matrix Storage support (for Windows only) (Supports software RAID 0, 1, 10 & 5)					
Networking	SAS controller	-					
	Interface	10/100/1000 Mbps					
Onboard I/O Connectors	Controller	GbE LAN1: Intel I217-LM; GbE LAN 2-4: Intel I210-AT					
	Connector	RJ-45 x 2 for G2 version; RJ-45 x 4 for G4 version					
	Printer Port connector	1					
	PSU connector	24-pin SSI power connector + 8-pin SSI 12V power connector					
Rear I/O Connectors	USB connector	2 USB 3.0; 7 USB 2.0 (1 x USB Type-A)					
	Fan header	5 (4-pin)					
	SMBus	2					
	Chassis intruder	1					
	Front LAN LED	2					
	Serial port header	1 (RS-232)					
	Audio Connector	1 (ALC 892)					
	PS/2 KB/Mouse	1					
	Watchdog Timer	External serial port	1				
		External USB port	4 (2 USB 3.0 and 2 USB 2.0)				
VGA port		1					
DVI		2					
Display Port		-					
RJ-45		2 for G2 version. 4 for G4 version					
Power Requirement	PS/2 KB/mouse	2					
	Power On	Intel® Xeon® E3-1275v3 3.5GHz; DDR3 8G x4					
Environment	Operating	3.3 V	5 V	12 V	12V_8P	5 Vsb	-12 V
	Temperature	1.17A	2.30A	0.06A	4.33A	0.16A	0.01A
Physical Characteristics	Non-operating	Operating					
	Humidity	0 ~ 60° C (32 ~ 140° F)					-40 ~ 85° C (-40 ~ 185° F)
Dimensions	Dimensions	0% ~ 90%					5% ~ 95% (Non-condensing)
	Dimensions	304.8 x 244 mm (12" x 9.6")					

*Memory ECC function enable or not depends on processor supporting.

Block Diagram



Ordering Information

Part Number	Chipset	LAN	USB 3.0	DVI	SATAIII	IPMI
ASMB-784G2-00A1E	C226	2	4	2	6	Optional
ASMB-784G4-00A1E	C226	4	4	2	6	Optional

Packing List

Part Number	Description	Quantity
2066S78402	Driver CD	x 1
2006S78410	Startup manual	x 1
1700003194	SATA data cables	x 2
1700022749-11	SATA power cables	x 2
19Z0000502T000	I/O shield	x 1

Optional Accessories

Part Number	Description
1700002204	Dual port USB 2.0 cable (27 cm) with bracket
1700008461	Four port USB 2.0 cable (30.5 cm) with bracket
1960052651N021	LGA 1151/1150/1155 CPU cooler for 2U/4U and wallmount chassis
1960049408N001	LGA 1151/1150/1155 1U CPU Cooler and supports up to 84W processor
1700008809	Printer port cable kit (25 cm)
1700020294-01	Printer port cable kit (42 cm)
1701090401	COM port cable with bracket (40 cm)
1700020277-01	Dual port USB 3.0 cable with bracket (30 cm)
1700007351	SATA cable L-type (for ACP-4320)
AIMB-AUDIO-HDA1E	HD Audio-Card
IPMI-1000-00A1E	IPMI 2.0 Module
PCA-TPM-00A1E	TPM Module with Infineon TPM 1.2 solution
19Z0000747T000	1U I/O shield

I/O View



ASMB-784G2-00A1E



ASMB-784G4-00A1E

Note 1: It's a must to install PCA-TPM-00A1E for enabling Intel vPro feature.

Note 2: Purchasing ASMB-784's proprietary CPU cooler from Advantech is a must. Other brands' CPU coolers are NOT compatible with ASMB-784.

HPC-7320

3U Short-depth Rackmount/ Tower Chassis for EATX/ATX/MicroATX Motherboard



Features

- Supports EATX/ATX/MicroATX motherboard with dual processors
- Two Hot-Swap 3.5"/2.5" drive bays, one slim ODD drive bay and two internal 3.5" HDD bays
- Dual front USB 3.0 ports
- Supports Flex ATX Power, 2U 80Plus Single or Redundant Power Supply
- Front-accessible system fan without opening top cover for easy maintenance

Quiet

CE FCC

Specifications

		External	Internal
Drive Bay	Slim Optical Drive	1	-
	3.5"	-	2
	Hot Swap	2 (3.5" or 2.5")	
Cooling	Fan	2 (8cm/141.9CFM) + 1 (6cm/27.72CFM)	
	Air Filter	Yes	
Front I/O Interface	USB3.0	2	
Miscellaneous	LED Indicators	Power, HDD, LAN1, and LAN2	
	Rear Panel	Two 9-pin D-Sub	
Environment		Operating	Non-Operating
	Temperature	0 ~ 40° C (32 ~ 122° F)	-40 ~ 70° C (-40 ~ 156° F)
	Humidity	10 ~ 95% @ 40° C, non-condensing	10 ~ 95% @ 60° C, non-condensing
	Vibration (5 ~ 500 Hz)	1 Grms	2 G
Physical Characteristics	Shock	10 G (with 11 ms duration, half sine wave)	
	Dimensions (W x H x D)	426.4 x 132.2 x 480 mm (16.79" x 5.2" x 18.9")	
	Weight	12 kg	

Front View



Rear View



Inside View

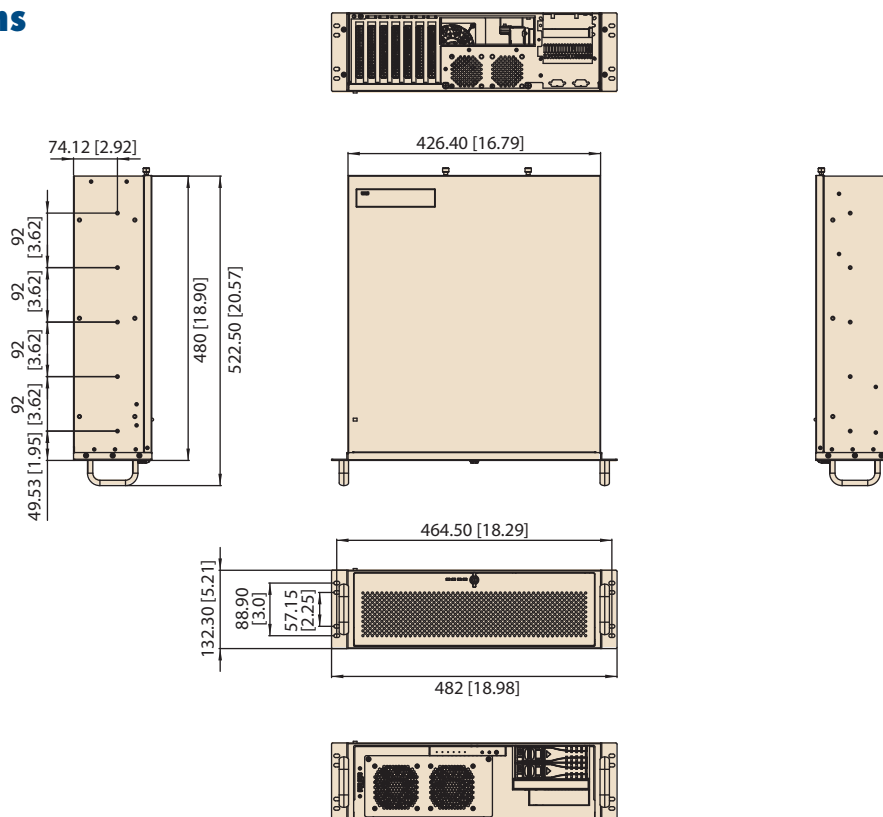


Rackmount View



Dimensions

Unit: mm [inch]



Ordering Information

Part Number	Description
HPC-7320MB-00XE	Without PSU, with ATX switch

Packing List

Part Number	Description	Quantity
1960002043T001 & 1960004574T001	Wall mount bracket	1
1960061378T001	FATX power rear bracket	1
1960069262N001	1U power rear bracket	1
1990025044T000	Door filter	1
1750007769-01	8cm system fan	2

Note:

- HPC-7320 does not support AIMB-701, AIMB-780, AIMB-781, AIMB-782, AIMB-784
- HPC-7320 does not support add-on card which need to connect additional power cable from the top.

Power Supply Options

Part Number	80 Plus Grade	Wattage	Type	Input
PS8-350FATX-XE	Bronze	350W	Single	AC 100 ~ 240 V (full range)
PS8-500U2-XE	Bronze	500W	Single	AC 100 ~ 240 V (full range)
96PS-A700W1U	Bronze	700W	Single	AC 100 ~ 240V (full range)
RPS8-500U2-XE	Bronze	500W	(1+1) Redundant	AC 100 ~ 240 V (full range)
RPS8-700U2-XE	Gold	700W	(1+1) Redundant	AC 100 ~ 240 V (full range)

Optional Accessories

Part Number	Description
2130015257T000	CPU cooler box
9680006903	20" Slide Rail (support 75~100cm depth cabinet)
9680006904	24" Slide Rail (support 90~110cm depth cabinet)
96CB-SATAPOWER-6P1	SATA power wire 6-pin to big 4-pin (for slim ODD)
1700011592	Front dual USB2.0 cable