

# ARK-3440

## Intel® Core™ i7 Box IPC with PCIe Expansion and Dual SATA HDDs for Image Processing and Surveillance Applications

**NEW**



### Features

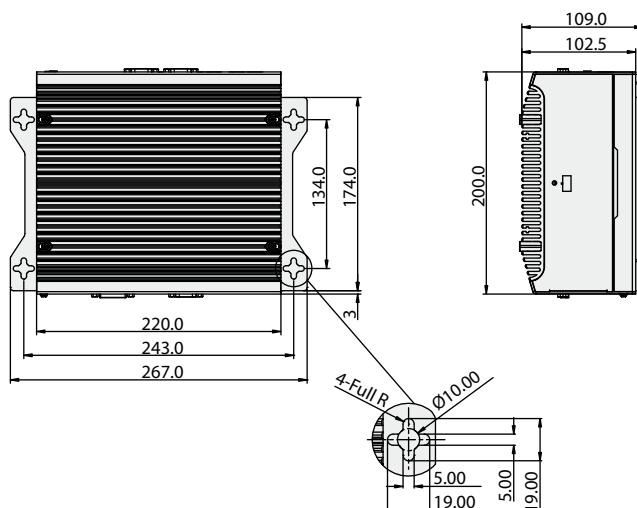
- Fanless, Intel® Core™ i7 Processor Ultra-Compact Embedded Box IPC
- Multi-display and support for wide screen with high resolution
- Supports 2 GbE, eSATA, 6 USB 2.0, audio and 3 COM ports
- Two internal 2.5" SATA HDD drive bays
- Various expansion Interfaces for diverse applications
- 6 programmable function keys
- Easy integration, easy maintenance, and wide input voltage range
- IP40 Rating

### Specifications

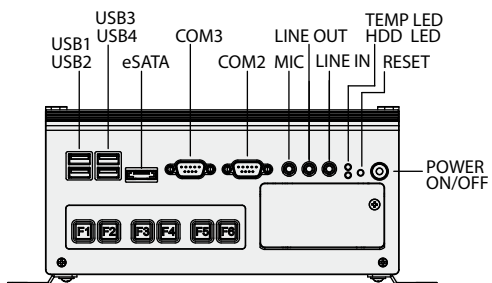
|                    |                                    |   |                            |                                 |
|--------------------|------------------------------------|---|----------------------------|---------------------------------|
| Processor System   | CPU                                | Intel Core i7 610E, up to 2.53 GHz  | Intel Core i5 520E 2.4 GHz | Intel Celeron SV P4505 1.86 GHz |
|                    | System Chipset                     | Intel QM57 Chipset  |                            |                                 |
|                    | BIOS                               | AMI 64 Mbit, SPI  |                            |                                 |
| Memory             | Technology                         | DDR3 1066 MHz   |                            |                                 |
|                    | Max. Capacity                      | 4 GB  |                            |                                 |
|                    | Socket                             | 2 x 200-pin SODIMM  |                            |                                 |
| Graphics           | Chipset                            | Integrated graphics built in Intel QM57   |                            |                                 |
|                    | Interfaces                         | CRT Interfaces (Optional by Cable)<br>DVI Interfaces, compliant with DVI 1.0<br>HDMI 1.3<br>24-bit LVDS Interfaces(Optional)  |                            |                                 |
| Ethernet           | LAN 1                              | 10/100/1000 Mbps Ethernet controller, supports Wake On LAN  |                            |                                 |
|                    | LAN 2                              | 10/100/1000 Mbps Ethernet controller, supports Wake On LAN  |                            |                                 |
| Audio              | Amplifier                          | Dual output 2.2 W amplifier   |                            |                                 |
|                    | Interfaces                         | Spkr-out, Mic-in, Line-in   |                            |                                 |
| IO Interfaces      | Serial Interfaces                  | 2 x RS-232 ports and 1 x RS-232/422/485 port (2 x RS-232, 1 x RS-232/422/485 optional)  |                            |                                 |
|                    | USB Interfaces                     | 6 x USB ports, (with optional 2 additional) Compliant with USB 2.0  |                            |                                 |
|                    | Digital I/O                        | Supports 16-bit Digital IO (optional)   |                            |                                 |
| Others             | Thermal alarm                      | Yellow LED lighting   |                            |                                 |
|                    | Watchdog timer                     | 255 levels timer interval, setup by software  |                            |                                 |
|                    | Function Key                       | 6 programmable functional keys  |                            |                                 |
| Expansion          | ISA/PCI/PCIe Slot                  | 1 slot PCI and 1 Slot PCIe x1 (default);<br>2 slots PCIe x1 (optional);<br>2 slots PCI (optional)   |                            |                                 |
|                    | Mini PCI/Mini PCIe                 | 2 x Mini PCIe   |                            |                                 |
| Storage            | HDD                                | Supports drive bay space for 2 x SATA 2.5" HDD  |                            |                                 |
|                    | SSD                                | Supports CompactFlash socket for type I/II CompactFlash disk  |                            |                                 |
| Software support   | Microsoft Windows                  | Win 7, XP Professional, XP Embedded, WinCE  |                            |                                 |
|                    | Linux                              | Fedora 9  |                            |                                 |
| Power Requirements | Power Type                         | AT/ATX  |                            |                                 |
|                    | Power Input Voltage                | 9 V <sub>DC</sub> ~ 34 V <sub>DC</sub>  |                            |                                 |
|                    | Minimum Power Input                | TBD   |                            |                                 |
| Power Consumption  | Power Adapter                      | AC to DC, DC19V/7.89A, 150W (Optional)  |                            |                                 |
|                    | Typical                            | 38 Watts (i7-610E 2.53GHz w/o expansion)  |                            |                                 |
|                    | Max.                               | 47.94 Watts (i7-610E 2.53GHz w/o expansion)   |                            |                                 |
| Mechanical         | Construction                       | Aluminum housing  |                            |                                 |
|                    | Mounting                           | Desk/wall-mounting  |                            |                                 |
|                    | Dimensions (W x H x D)             | 220 mm x 102.5 mm x 200 mm (8.66" x 4.04" x 7.87")  |                            |                                 |
|                    | Weight                             | 4 kg (8.8 lb)   |                            |                                 |
| Environment        | Operating Temperature              | With industrial grade CompactFlash disk: -20 ~ 55° C<br>With 2.5-inch extended temperature hard disk -20 to 45° C, with air flow  |                            |                                 |
|                    | Storage Temperature                | -40 ~ 85° C (-40-185°F)   |                            |                                 |
|                    | Relative Humidity                  | 95% @ 40° C (non-condensing)  |                            |                                 |
|                    | Vibration Loading During Operation | With CompactFlash disk: 5 Grms, IEC 60068-2-64, random, 5 ~ 500 Hz, 1 Oct./min, 1 hr/axis<br>With 2.5-inch hard disk: 1 Grms, IEC 60068-2-64, random, 5 ~ 500 Hz, 1 Oct./min, 1 hr/axis |                            |                                 |
|                    | Shock During Operation             | With CompactFlash disk: 50 G, IEC 60068-2-27, half sine, 11 ms duration<br>With hard disk: 20 G, IEC 60068-2-27, half sine, 11 ms duration  |                            |                                 |
|                    | EMC<br>Safety Certifications       | CE/FCC Class A, CCC, BSMI<br>UL, CCC, BSMI  |                            |                                 |

## Dimensions

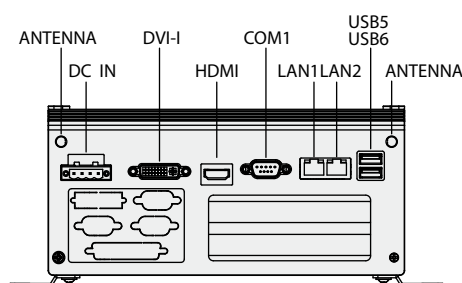
Unit: mm



### Front Panel External I/O Mechanical Layout/Drawing



### Rear Panel External I/O Mechanical Layout/Drawing



## Packing List

| Part Number    | Description                          |
|----------------|--------------------------------------|
| -              | 1 x ARK-3440 Unit                    |
| 1960014487T00C | 2 x Desk/Wall mount plate            |
| 1652003234     | 1 x 4-pin Phoenix DC power connector |
| 1654000446     | 1 x DVI-I to CRT connector           |
| -              | 1 x Utility CD                       |

## Optional Items

| Part Number | Description   |
|-------------|---|
| 1757002161  | AC-to-DC Adapter, DC19 V/7.89A 150W, with Phoenix Power Plug, 0 ~ 40° C for Home and Office Use |
| 1702002600  | Power Cable 3-pin 180 cm, USA type  |
| 1700004713  | Cable DVI-I to DVI and CRT  |

## Ordering Information

| Part Number     | Description                                  |
|-----------------|--|
| ARK-3440F-U5A1E | Intel Core i7<br>Compact Embedded Box IPC    |
| ARK-3440F-U4A1E | Intel Core i5<br>Compact Embedded Box IPC    |
| ARK-3440F-S8A1E | Intel Celeron P4505 Compact Embedded Box IPC |