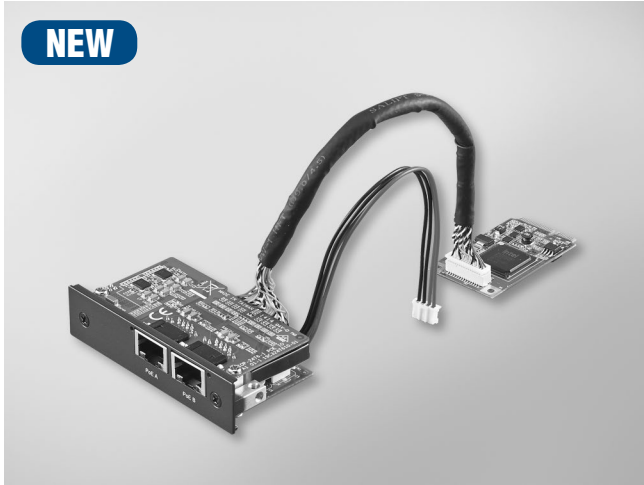


PCM-24R2PE

2-Port Gigabit Ethernet, IEEE 802.3af (PoE)
Compliant, mPCIe, RJ45

NEW



Features

- Meets Advantech Standard iDoor Technology
- PCI Express® Mini Card Specification Revision 1.2 compliant
- Supports 2 Gigabit Ethernet MAC Controller and PHY ports
- Supports 24 V_{DC} input power boost up to 15.4 W at 48 V_{DC} per PoE port
- Supports PoE (Power over Ethernet), IEEE 802.3af compliant
- Powered Device (PD) auto detection and classification
- Supports IEEE 802.3u Auto-Negotiation
- Supports 32/64-bit Windows 7/8, Linux 2.4/2.6
- Supports Embedded Automation PC UNO-2400 series
- Supports Control DIN-Rail PC UNO-1300/1400 series
- Supports Control Cabinet PC UNO-3200/3300/3400 series

Introduction

The PCM-24 series are categorized as communication modules from Advantech iDoor Technology. All of them are compatible with the PCI Express® Mini Card Specification Revision 1.2, including Isolated / Non-Isolated RS-232/422/485 communication cards for automation control, Wi-Fi /3G/GPS/GSM/LTE wireless communication models for data exchange during the management and machine level of automation application, Zigbee module as an IoT terminal or controller and PoE function for smart camera in detect inspection application of production. This is a flexible design that enables customers to customize their features which meet iDoor Technology.

Specifications

General

- Bus Type** PCI Express Mini Card Revision 1.2
- Certification** CE, FCC class A
- Connectors** 2 x RJ45 GbE Half-/Full-Duplex
- Dimensions** Module: 51 x 30 x 12.4 mm (2" x 1.18" x 0.49")
I/O Plate: 81 x 19.4 x 41 mm (3.19" x 0.76" x 1.61")

*Shielding ethernet cable is recommended for use in PoE applications.

Communications

- PoE Controller** MICROSEMI_PD69101ILQ-TR
- Compatibility** IEEE 802.3, IEEE 802.3u, IEEE 802.3ab, IEEE 802.3x, IEEE 802.3af
- Speed** 10/100/1000 Mbps
- No. of Ports** 2 Gigabit Ethernet Media Access Control (MAC) and physical layer (PHY) ports.

Power Requirements

- Input Voltage** 24 V_{DC}
- Overload Current** Present Protection
- Connection** Internal 24 V_{DC}
External 24 V_{DC} Phoenix terminal block (Optional add-on)
- Output PoE Power** 48 V_{DC} PoE Power output PCM-24R2PE
Supports 2 PoE ports up to 2 x 15.4 W at 48 V_{DC}

Protection

- Isolation Protection** 1,600 V_{DC}
- ESD Protection** 4KV (Contact), 8KV (Air)
- EFT Protection** 1,000 V

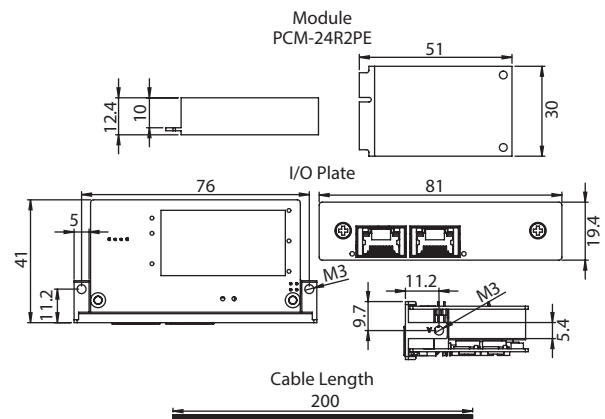
Software

- OS Support** Microsoft® Windows® XP/7/8, Linux 2.4/2.6

Environment

- Operating Humidity** 5 ~ 95% RH
- Operating Temperature** 0 ~ 50°C (32 ~ 122°F)
- Storage Temperature** -20 ~ 80°C (-4 ~ 176°F)

Dimensions



Ordering Information

- PCM-24R2PE-AE** GbE, IEEE 802.3af (PoE) Compliant, mPCIe, RJ45 x2