

ITA-5831

Intel® 6th Generation Core™ i Processor Fanless System; EN 50155 Compliant for Railway Applications

Preliminary

EN 50155



Features

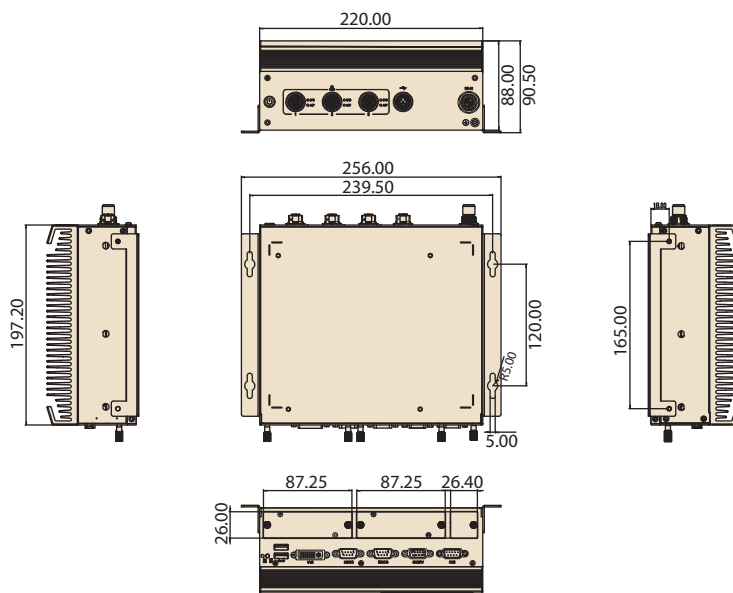
- Intel® Core™ i7-6822EQ platform with QM170
- Fanless computer for railway vehicle applications, fully compliant with EN 50155
- Satisfies temp. standard: EN 50155 TX (-40 ~ 70° C) and IEC 61373 body mount class B
- Compliant with EN 50121-3-2/ EN 50121-4 EMC test standard
- Ruggedized connectors (M12) used for communication and power ports
- Supports easy-swap storage module and I/O module

Specifications

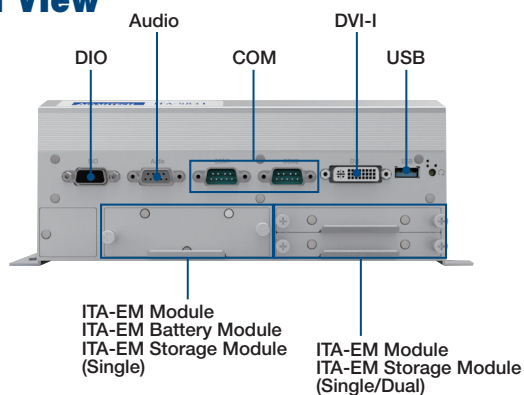
System Chipset	CPU	Intel® Core™ i7-6822EQ	i5-6442EQ	Celeron G3902
	Max Speed/Turbo Boost	2.0/2.8 GHz	1.9/2.7GHz	1.9GHz
	L3 Cache	8M	6M	3M
	Cores/Threads	4C/8T	4C/4T	2C/2T
	Chipset	QM170		
	BIOS	AMI SPI 16M byte		
Memory	Technology	8GB on board memory, DDR4 2133MHz		
	SODIMM slot	1		
	Max. Capacity	Up to 16G		
Graphics	Chipset	Intel Integrated Graphics GT2, Celeron with GT1		
	VRAM	Shared with system memory up to 512MB		
	Display	DVI-I: 1920x1200 @ 60Hz (Real I/O)		
		VGA: 1920x1200 @ 60Hz (Option) HDMI: 4096x2160 @ 24Hz (Option)		
I/O	USB	2 x USB3.0 with Type A 1 x USB2.0 with M12 A-coded(F) 4-pin		
	Serial Port	2 x DB9, RS-232/422/485 with 2KV Isolation, supports auto-flow control		
	DIO	1 x DB9, 4GPI/4GPO with 2KV Isolation		
	Main Display	1 x DVI-I		
	Secondary Display	1 x DVI-D (optional)		
	Audio	1 x DB9, 1 x Speaker-out with 2W4Ω Amp., 1 x Mic-in		
Ethernet	Controller	Intel i210-IT (Industrial)		
	Interface	10/100/1000 Mbps		
	Connector	Up to 3 x M12 X-coded(F)		
Storage	HDD/SSD easy-swap module	1 x ITA-EM-ST61-00A1E, supports 2 x 2.5" SSD (Default setting) Max to 3 x 2.5" SSD(7mm/9.5mm)		
	mSATA	1 x mSATA slot on board		
Others	Mini PCIe	3 x Mini PCIe Socket (Full size)		
	SIM card	2 x SIM slot		
LED & Button	LED	1 x power, 1 x storage, 1 x alert, 1 x BATT		
	Button	1 x power on/off switch 1 x reset button		
Power	Input Voltage	DC 24V input compliant with EN50155 class S2/C1(Optional DC 48/72/110V input)		
	Connector	1 x M12 S-coded(M) 4-pin		
Watchdog Timer	Output	System reset		
	Interval	Programmable 1~255 sec/min		
Environment	Temperature	Operating (with Industrial SSD/CF) -40 ~ 70° C		Non-operating -40 ~ 85° C
	Humidity	5% ~ 95% @ 40° C (Non-Condensing)		
Mechanical	Dimension (W x H x D)	220 x 198 x 88 mm/256 x 198 x 91 mm with mounting kits		
	Install	Wall-mount by mounting bracket		
	Ingress Protection	IP50 rating		
Certification	EMC	CE/FCC Class A, CCC		
	Safety	UL, CB, CCC		
	EN 50155 Compliance	Ambient Temperature	EN 50155 TX (-40 ~ 70° C)	
	Shock and Vibration	IEC 61373 body mount class B		
	Interruptions of Voltage Supply	Class S2		
	Supply Change Over	Class C1		
	EMC	EN 50121-4		

Dimensions

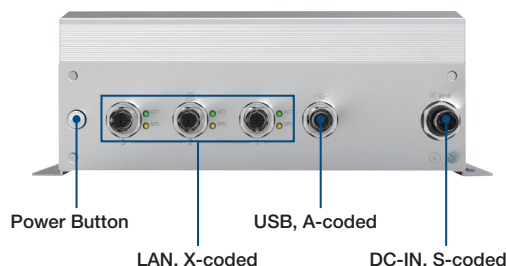
Unit: mm



Front View



Rear View



Ordering Information

Voltage (M12-S-Male)	Part Number	Processor	Ethernet (M12-X-Female)	USB2.0 (M12-A-Female)	USB3.0 (Type A)	mini-PCIe	2.5" SSD	mSATA slot	COM	GPIO	Display
24V _{DC}	ITA-5831-L7A1E	i7-6822EQ	3	1	2	3	Up to 3	1	2(Default)	4GPI/4GPO	DVI-I
	ITA-5831-L5A1E	i5-6442EQ	3	1	2	3	Up to 3	1	2(Default)	4GPI/4GPO	DVI-I
	ITA-5831-L0A1E	G3902	3	1	2	3	Up to 3	1	2(Default)	4GPI/4GPO	DVI-I
48V _{DC}	ITA-5831-M7A1E	i7-6822EQ	3	1	2	3	Up to 3	1	2(Default)	4GPI/4GPO	DVI-I
	ITA-5831-M5A1E	i5-6442EQ	3	1	2	3	Up to 3	1	2(Default)	4GPI/4GPO	DVI-I
	ITA-5831-M0A1E	G3902	3	1	2	3	Up to 3	1	2(Default)	4GPI/4GPO	DVI-I
72V _{DC}	ITA-5831-H7A1E	i7-6822EQ	3	1	2	3	Up to 3	1	2(Default)	4GPI/4GPO	DVI-I
	ITA-5831-H5A1E	i5-6442EQ	3	1	2	3	Up to 3	1	2(Default)	4GPI/4GPO	DVI-I
	ITA-5831-H0A1E	G3902	3	1	2	3	Up to 3	1	2(Default)	4GPI/4GPO	DVI-I
110V _{DC}	ITA-5831-S7A1E	i7-6822EQ	3	1	2	3	Up to 3	1	2(Default)	4GPI/4GPO	DVI-I
	ITA-5831-S5A1E	i5-6442EQ	3	1	2	3	Up to 3	1	2(Default)	4GPI/4GPO	DVI-I
	ITA-5831-S0A1E	G3902	3	1	2	3	Up to 3	1	2(Default)	4GPI/4GPO	DVI-I

ITA-5831 Series supports various I/O expansion. For more specifications, please contact with your distributor or sales representative.

Optional List

Part Number	Description
ITA-EM-SR61-00A1E	Easy-swap module, 4 x RS232/422/485 with 2KV Isolation
ITA-EM-CN61-00A1E	Easy-swap module, 2 x CAN ports with 2KV Isolation
ITA-EM-PE61-00A1E	2 PoE: Each port max to 15.4W @ 52V _{DC} 1 PoE: Up to 30W @ 52V _{DC}
ITA-EM-ST61-00A1E	Easy-swap storage tray, support 2 x 2.5" SSD
ITA-EM-ST61-10A1E	Easy-swap storage tray, support 1 x 2.5" SSD